

TOSHIBA

Tecra A1

Featured Model(s)*:

2.2GHz, 15" XGA, 256MB, 30GB, DVD/CD-RW, 6 cell, Modem, LAN, Win XP Pro

* Other configurations available

Custom Configuration options and optional items listed below are highlighted

Product Highlights

- Affordable:** The Toshiba Tecra A1 notebook PC is ideally designed for the corporate enterprise user and telecommuters who need a low-cost desktop replacement notebook to handle all of their productivity needs.
- Desktop Performance:** Powered by the Intel® Mobile Pentium® 4-M, 2.20GHz, up to 1GB of memory and a large 15.0" diagonal XGA display, corporate users have all of the power and features they need to perform vital computing applications without the confines of a desktop PC. For additional storage space, the Tecra A1 hard drive capacity can be configured to up to 60GB.
- Low Total Cost of Ownership:** The Tecra A1 notebook PC also includes Toshiba's ConfigFree™ software empowering users to troubleshoot technical problems, thus reducing the amount of calls to IT help desk support and loss of productivity time by the end user. The added value of a single image across all configurations, results in the reduction of the total cost of ownership
- Wireless Ready!:** With integrated dual-band antennae, the Tecra A1 can be configured to support dual Wi-Fi® (IEEE 802.11b and 802.11a/b) wireless connectivity allowing users to connect to their wireless corporate networks without the hassles of cords or cables. Providing more options to connect, the Tecra A1 notebook PC also features integrated 10/100 Ethernet LAN and built-in V.92 modem.
- Innovative Design and Optimized Comfort:** Packaged in a stylish industrial design, combined with desktop performance features and integrated wireless connectivity, the Tecra A1 notebook PD delivers on Toshiba's commitment to market affordable, reliable and feature-rich mobile products to the corporate customer.

System Characteristics

Processor

- Mobile Intel® Pentium® 4 processor at 2.20 GHz
- Intel 852GM system chipset
- 400MHz processor side bus clock speed
- 512KB Level 2 Cache integrated on die

Memory

- 256-1024MB SODIMM memory
- 256MB, 512MB PC2100 DDR SDRAM, 2.5V

Mass Storage

- 60, 40, 30GB* Enhanced IDE (ATA-5) hard disk drive; 9.5mm height; 4200rpm
- CD-ROM; 5.25" EIDE, 12.7mm height, 24X CD-ROM. Compatibility: CD-ROM, CD-R (read only), CD-RW (read only).
- DVD-ROM; 5.25" EIDE, 12.7mm height, 8X DVD-ROM, 24X CD-ROM. Compatibility: CD-ROM, CD-R, CD-RW, DVD-ROM, DVD-R, DVD-RAM (all read only).
- DVD-ROM/CD-RW; 5.25" EIDE, 12.7mm height, 8X DVD-ROM, 10X CD-RW, 24X CD-R, 24X CD-ROM. Compatibility: CD-ROM, CD-R (read/write), CD-RW (read/rewrite), DVD-ROM, DVD-R (read only), DVD-RW (read only), DVD-RAM (read only).
- USB Floppy Drive, 3.5", 1.44MB

Display

- 14.1" (XGA) or 15.0" (XGA or SXGA+) TFT active-matrix LCD****; internal display supports up to 16M colors

Graphics

- Intel 852GM integrated graphics controller chipset; 64MB DDR video memory (UMA)
- External Color Support: 1600 x 1200, 1280 x 1024, 1024 x 768, 800 x 600; 60/75/85/100Hz Non-Interlaced @ 16M 1920 x 1440; 60Hz Non-Interlaced @ 16M

Part Number

PTA10U-001J67

Input Devices

- Keyboard: Full sized 85 keys with 12 function keys, 2.7mm key stroke, 6mm height; Dedicated Windows® & Application keys support; HotKey function
- Mouse: TouchPad Pointing Device with 2 buttons

Expandability

- 2 Expansion memory slots (including Main Memory)
- 1 PC Card slot supports 1 Type II PC Card, PCMCIA R2.01, PC Card16, CardBus

Communications

- Integrated V.92 modem

Due to FCC limitations, speeds of 53kbps are the maximum permissible transmission rates during download. Actual data transmission speeds will vary depending on line conditions.

- Integrated 10/100Base-TX Ethernet
- Integrated Wi-Fi compliant wireless LAN – 802.11b: Agere, Intel or Cisco. 802.11a/b: Atheros

Ports

- Parallel port
- RGB (monitor) port
- 2 Universal Serial Bus (USB) port
- Microphone jack
- Headphone jack
- RJ-45 LAN port
- RJ-11 modem port

Physical Description

- Dimensions: 13.0" x 11.5" x 1.3/1.6" Weight: 6.2lbs (with 15" and DVD)
- LED Indicators: DC-In, Power, Primary Battery, Hard Drive, Optical Drive, Wireless indicator, Caps Lock, Arrow Lock, Numeric Lock

Sound

- AD1981B software sound
- 16-bit stereo; Built-in stereo speakers, Built-in microphone
- Direct 3D Sound; DirectSound and DirectMusic; Full Duplex and MIDI support
- Sound Volume Control Dial

Power Supply

- 75W (15V x 4A) Auto sensing external AC Adapter, 100-240V / 50-60Hz frequency (Universal) input.
- 6-cell (4400mAh) rechargeable, removable Lithium Ion (Li-Ion) battery pack
- Up to 3:32hs battery life (Normal Mode)**

Battery life may vary depending on product model, configuration, applications, power management settings and features utilized. Recharge time varies depending on usage. Battery may not charge while computer is consuming full power. After a period of time, the battery will lose its ability to perform at maximum capacity and will need to be replaced. This is normal for all batteries. To purchase a new battery pack or see information on accessories shipping with your computer, visit the Toshiba website at www.accessories.toshiba.com

Security

- Slot for cable lock; HDD and memory (by screw only); User Power-on password, HDD Password, Supervisor Password, Keyboard Lock (by HotKey), Screen Blank (by Hotkey), Screen Saver (by software).

BIOS

- APM v1.2, ACPI v1.0b, PnP v1.0a, VESA, DPMS, DDC, SM BIOS v2.3, PC BIOS v2.1 support

Operating System

- Microsoft® Windows XP Professional

Additional Software

- Microsoft® Office XP Professional
- Microsoft® Office XP Small Business
- ConfigFree
- Adobe Acrobat Reader
- Windows Media Player

- Toshiba Custom Utilities
- Electronic User's Guide

Limited Warranty

- 3 year parts, labor and 1 year battery
- 1 year parts, labor (on selected configurations).

Environmental Specifications

- **Temperature:** Operating: 5° to 35°C (41° to 95°F); Non-operating: -20° to 65°C (-4° to 149°F)
- **Thermal gradient:** Operating: 15°C per hour maximum; Non-operating: 20°C per hour maximum
- **Relative Humidity:** Operating: 20% to 80%; Non-operating: 10% to 95%
- **Altitude (relative to sea level):** Operating: -60 to 3000 meters; Non-operating: -60 to 10,000 meters
- **Shock:** Operating: 10G; Non-operating: 60G
- **Vibration:** Operating: 0.5G; Non-operating: 1.0G

SelectServ Limited Warranty Extensions

SWP-PQQX3V	3 Year Depot Express
SWP-PQQQ3V	3 Year SystemGuard
SWP-PQGX3V	3 Year SystemGuard & Depot Express
SWP-PQQN3V	3 Year Business On-Site Repair, Next Business Day Response
SWP-PQGN3V	3 Year SystemGuard, Business On-Site Repair & Next Business Day Response

Accessories

Toshiba Accessories

PA3283U-1ACA	75W Universal AC Adapter
PA3285U-1BRS	Primary Battery Pack
PA3091U-1CHG	Battery Charger
PA3109U-1FDD	USB Floppy Disk Drive

KINGSTON Memory

KTT3614/128	128MB PC2100 DDR SDRAM Memory
KTT3614/256	256MB PC2100 DDR SDRAM Memory
KTT3614/512	512MB PC2100 DDR SDRAM Memory

Targus Cases-Security

NWCC52	Targus-Noteworthy Global Traveler
NWDEFCL	Targus-Noteworthy DEFCON CL Cable Lock

CMS Storage Devices

UABS2-40.0	CMS Automatic Backup USB 2.0 40GB
------------	-----------------------------------

Product/Part Numbers/UPC

Part number: PTA10U-001J67

Tecra A1: 2.2GHz, 15" XGA, 256MB, 30GB, DVD/CD-RW, 6 cell, Modem, LAN, Win XP Professional

UPC code: 032017202122

Tecra A1	Microsoft® Office XP SB (Small Business) Part number: PTA10U-xxxxxxW
Tecra A1	Microsoft® Office XP Pro (Professional) Part number: PTA10U-xxxxxxX

* GB = 1 Billion Bytes

**Central Processing Unit ("CPU") Performance Disclaimer:

CPU performance in your computer product may vary from specifications under the following conditions:

- use of certain external peripheral products
- use of battery power instead of AC power
- use of certain multimedia games or videos with special effects
- use of standard telephone lines or low speed network connections
- use of complex modeling software, such as high end computer aided design applications
- use of computer in areas with low air pressure (high altitude >1,000 meters or >3,280 feet above sea level)
- use of computer at temperatures outside the range of 5°C to 35°C (41°F to 95° F) or >25°C (77°F) at high altitude (all temperature references are approximate).

CPU performance may also vary from specifications due to design configurations.

Under some conditions, your computer product may automatically shut-down. This is a normal protective feature designed to reduce the risk of lost data or damage to the product when used outside recommended conditions. To avoid risk of lost data, always make back-up copies of data by periodically storing it on an external storage medium. For optimum performance, use your computer product only under recommended conditions. Read additional restrictions under "Environmental Conditions" in your product Resource Guide. Contact Toshiba Technical Service and Support for more information.

**** **TFT Display Disclaimer:** Small bright dots may appear on your TFT display when you turn on your PC. Your display contains an extremely large number of thin-filmtransistors (TFT) and is manufactured using high-precision technology. Any small bright dots that may appear on your display are an intrinsic characteristic of the TFT manufacturing technology.

Return Policy

TAIS does not accept the return of component parts, or bundled software, which have been removed from the PC system. Pro-rata refunds on individual PC components or bundled software, including the operating system, will not be granted. If you wish to return a complete PC system, contact the TAIS dealer where you purchased the product, and comply with the dealer's standard return policies and procedures.

Subject to Change

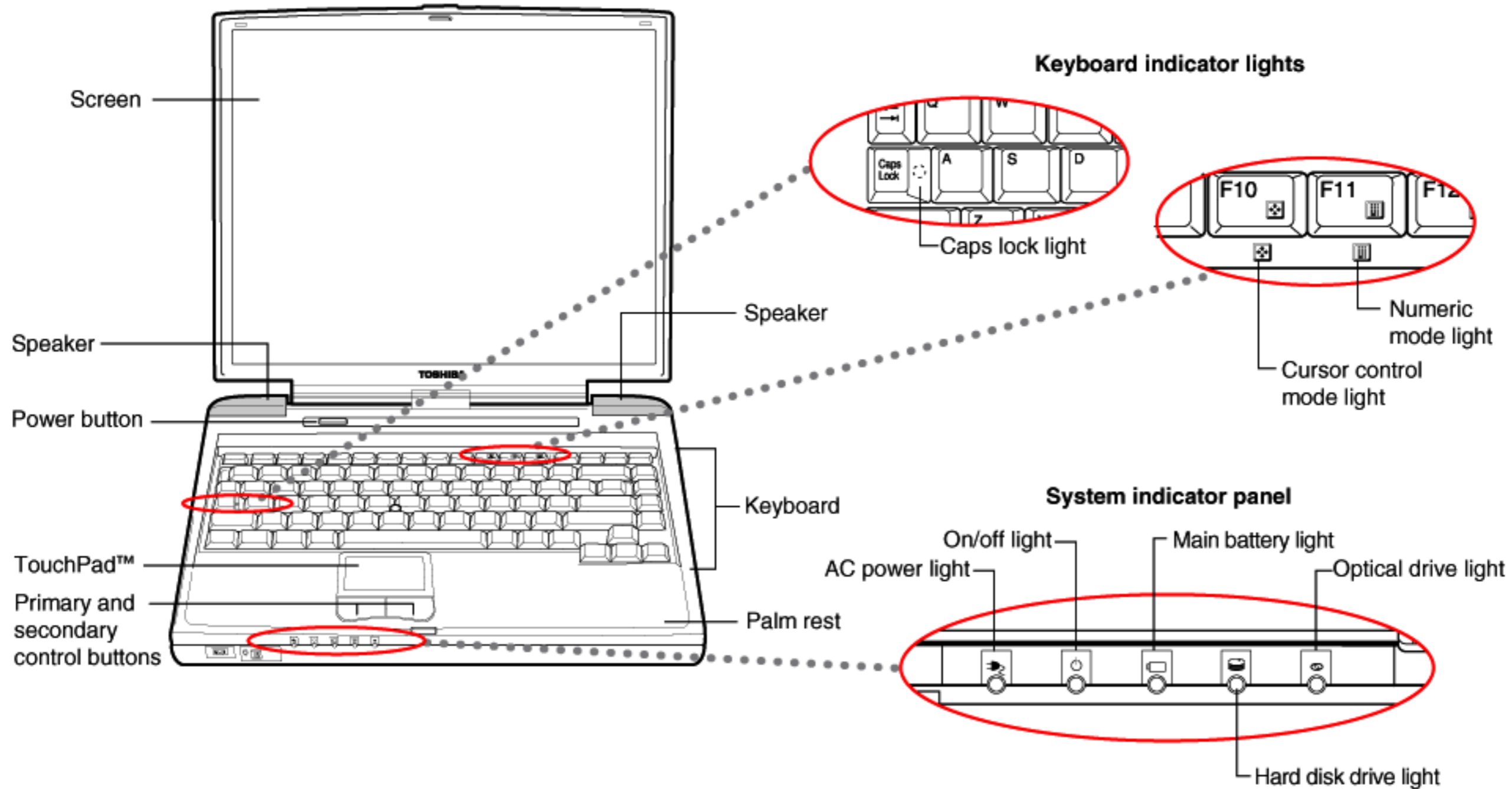
While Toshiba has made very effort at the time of publication to ensure the accuracy of the information provided herein, product specifications, configurations, prices, system/component/options availability are all subject to change without notice. For the most up-to-date product information about your computer, or to stay current with the various computer software or hardware options, visit Toshiba's Web site at pcsupport.toshiba.com

**** Business Winstone® 2002 BatteryMark™ Version 1.0**

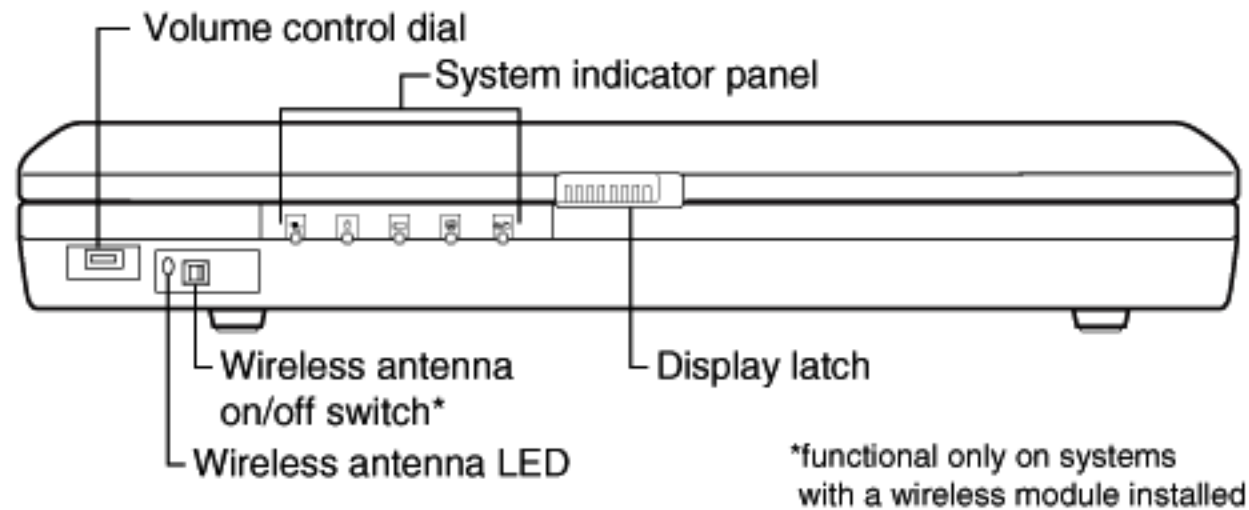
These models achieved the battery life times shown using Ziff Davis Media Inc.'s Business Winstone® 2002 BatteryMark™ Version 1.0. These tests were performed without independent verification by the VeriTest testing division of Lionbridge Technologies, Inc. ("VeriTest"). Neither Ziff Davis Media Inc. nor VeriTest makes any representations or warranties as to the results of the tests. Winstone® is a registered trademark and BatteryMark™ is a trademark of Ziff Davis Publishing Holdings Inc. in the U.S. and other countries. Copyright 2002 Ziff Davis Media Inc. All Rights Reserved. All products used in the tests were shipping versions available to the general public. The battery life results were achieved running the Business Winstone® 2002 BatteryMark™ Version 1.0 on the following system parameters. System parameters were set according to Ziff Davis Media Inc.'s recommendations.

Battery Life		Catalog Spec (1st)	3:32	
		(1st+2nd)	-	
		Number of Conditioning Phase	1	
		Life Test Run	3	
A	CPU Name		Intel® Mobile Pentium4-M	
	Processor info	speed	2.2GHz	
		number of processors	1	
	amount of RAM	256MB		
	Amount of secondary RAM cache	512KB (L2 Cache)		
B	Battery	type(1st)	Li-Ion (Graphite)	
			10.8V x 4,400mAh	
		model number(1st)	PA3285U-1BAS/1BRS	
		type(2nd)	-	
			-	
		model number(2nd)	-	
C	Graphics		Intel® 852GM	
		amount and type of RAM	16-64MB	
			DDR	
		graphics driver name and version		
		graphics resolution and color depth, refresh rate	1024x768/64K/60Hz	
		D	hard disk capacity	
hard disk file system & transfer mode	Enhanced IDE (ATA-5)			
hard disk controller model	852GM+ICH4			
size of hardware cache if any	N/A			
E	operating system version, service pack		WinXP	
		other special conditions	N/A	

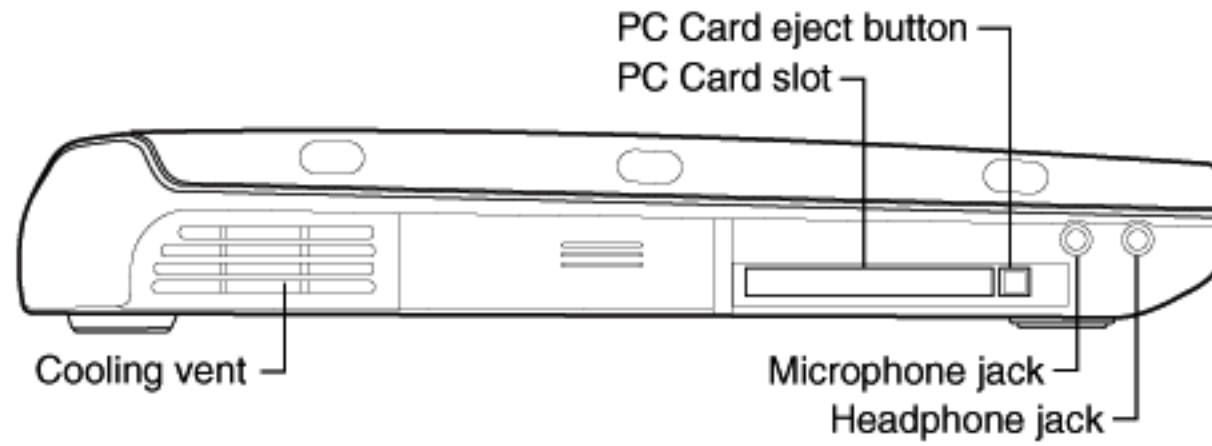
Front with display open



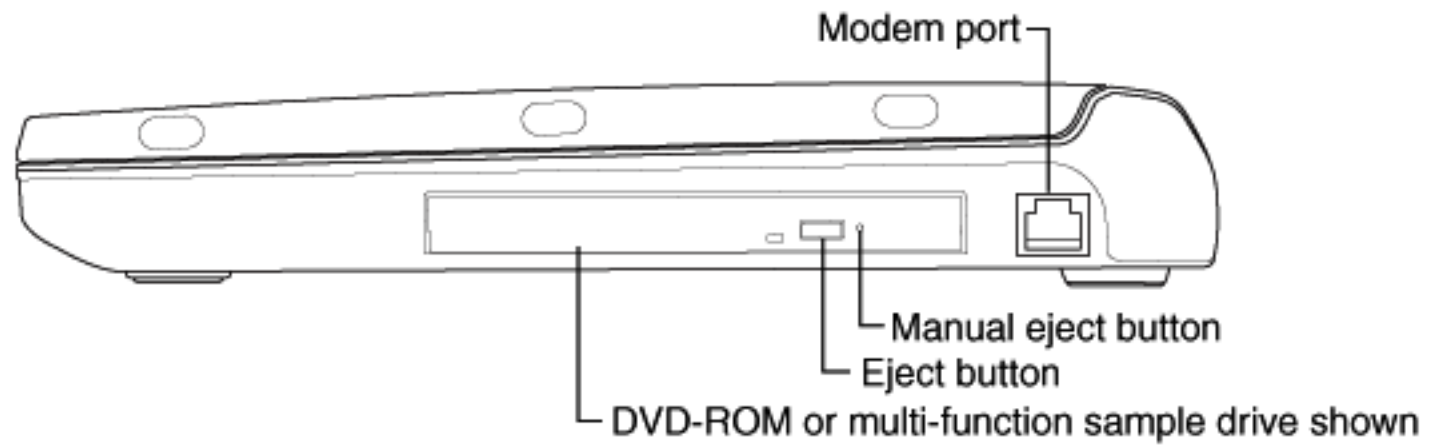
Front with display closed



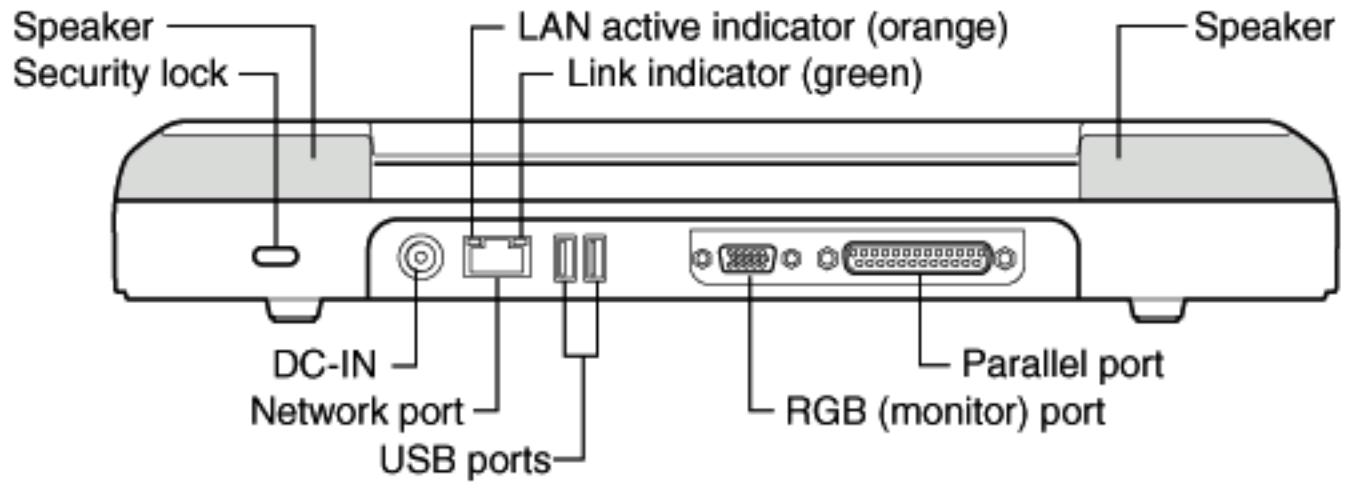
Left side



Right side



Back



Underside

