
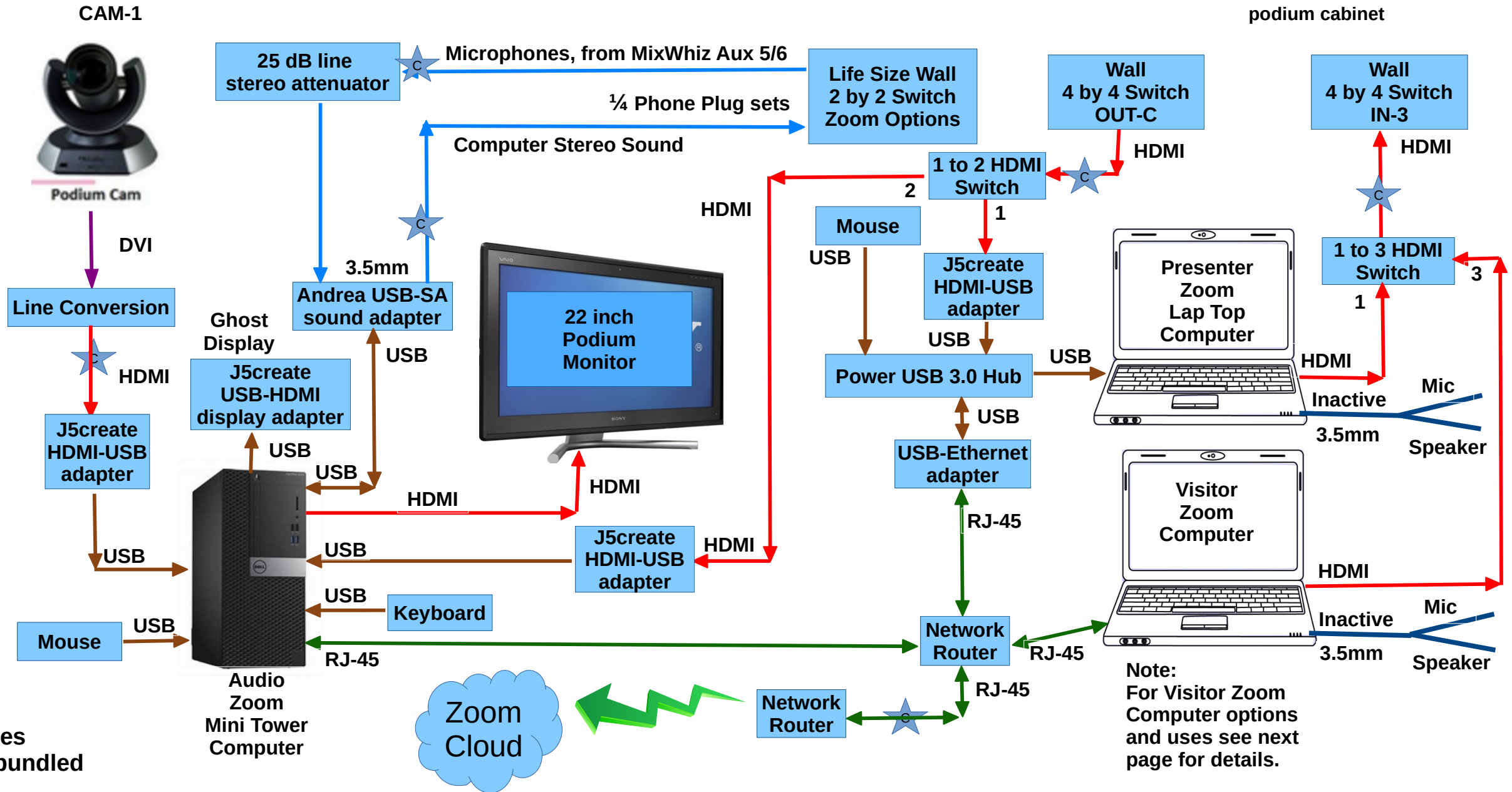


TA1 Hybrid Classroom Podium

TA1 Computer Cable layout For Presenter/Visitor Podium use

Note:  Blue C Star identifies the six cables + power cable to be attached to the podium cabinet



Note: All 7 cables must be bundled

Note: For Visitor Zoom Computer options and uses see next page for details.