

TA1 – Front of Room Ports – To / From A&H Mix Wizard

1-3: Paired 1/4" Female TS Jacks

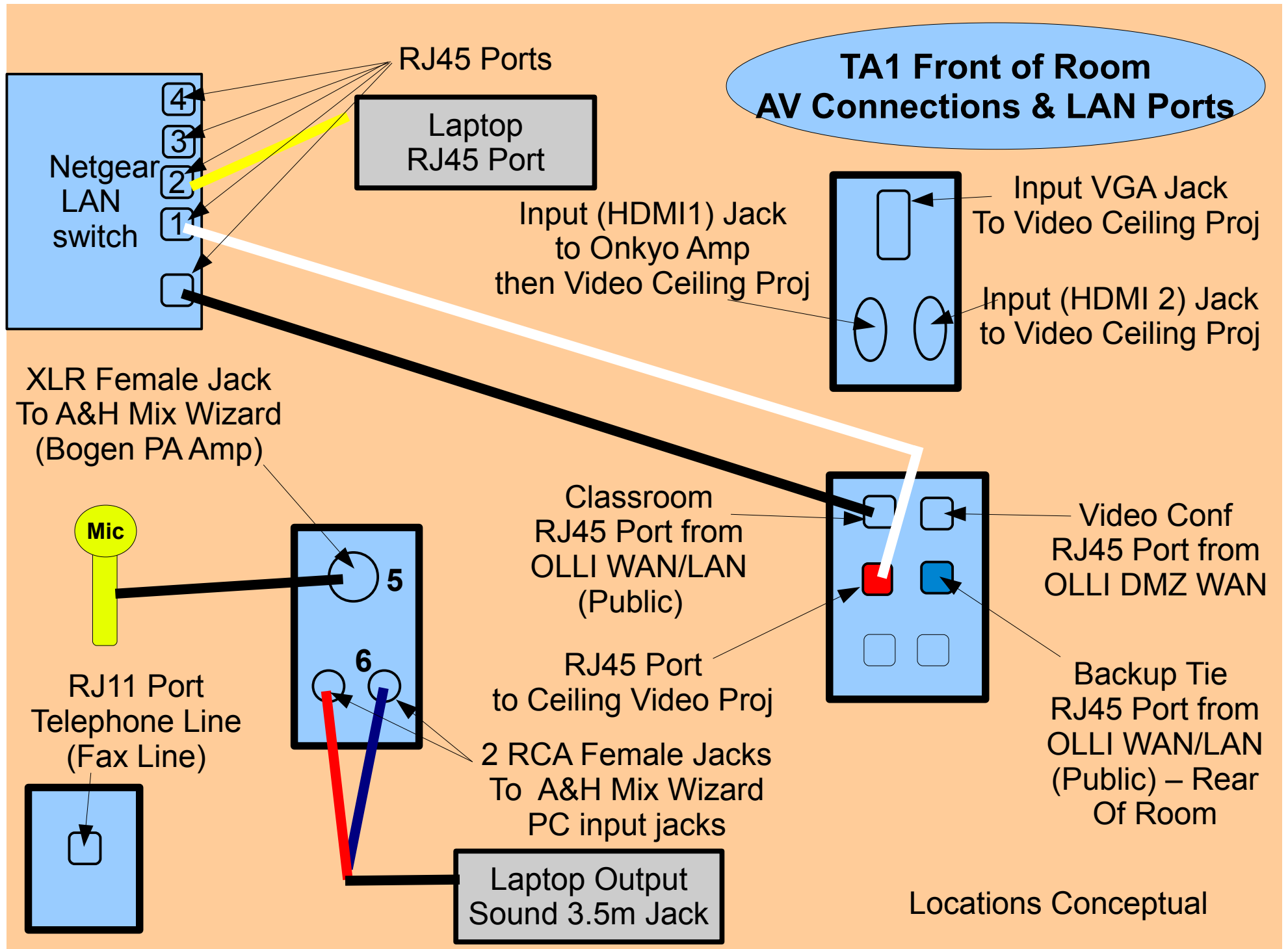
1 – LifeSize Codec Audio Out (to channels 5 & 6 L/R)

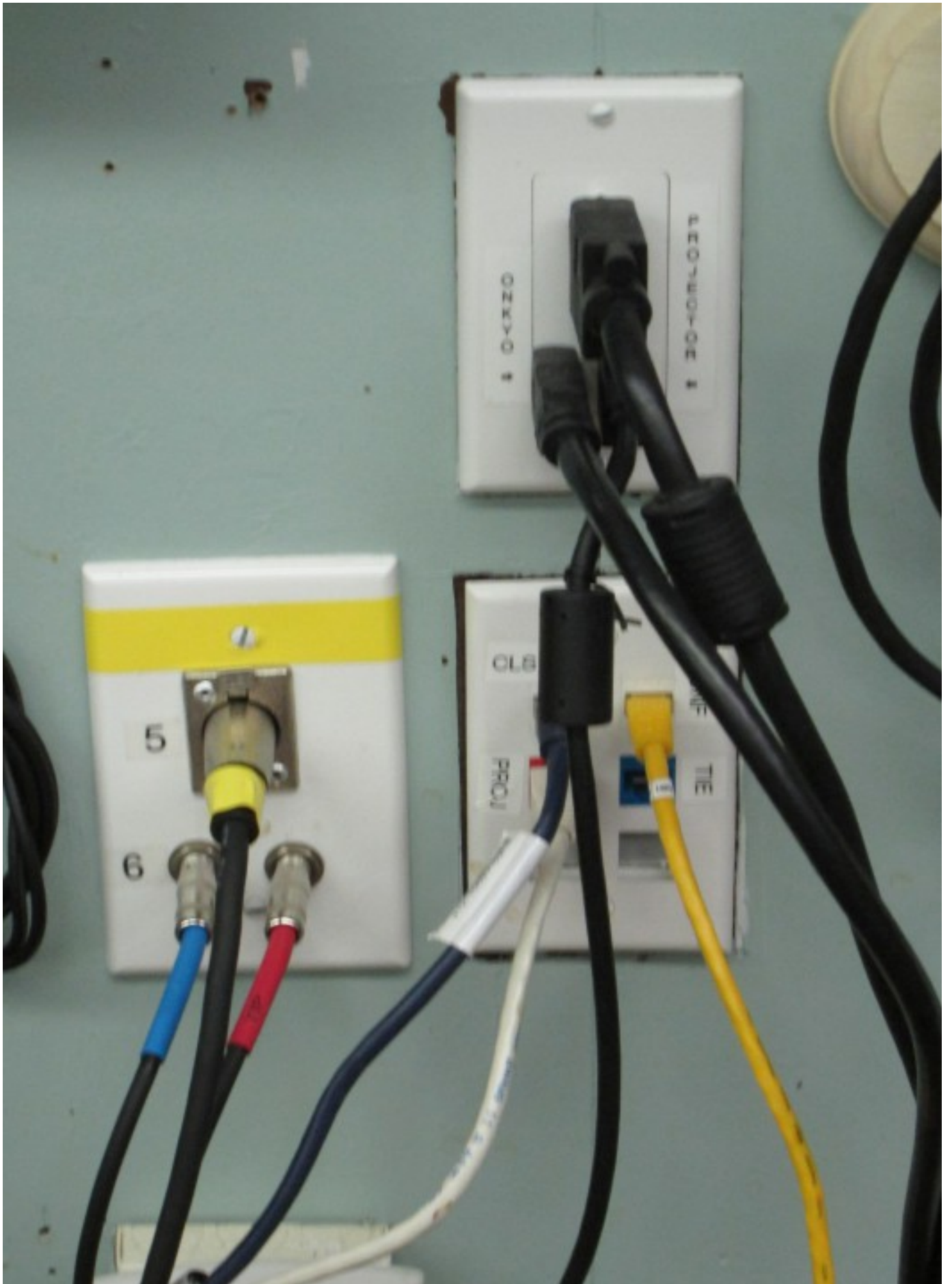
2 – (to A&H channels 9 & 10)

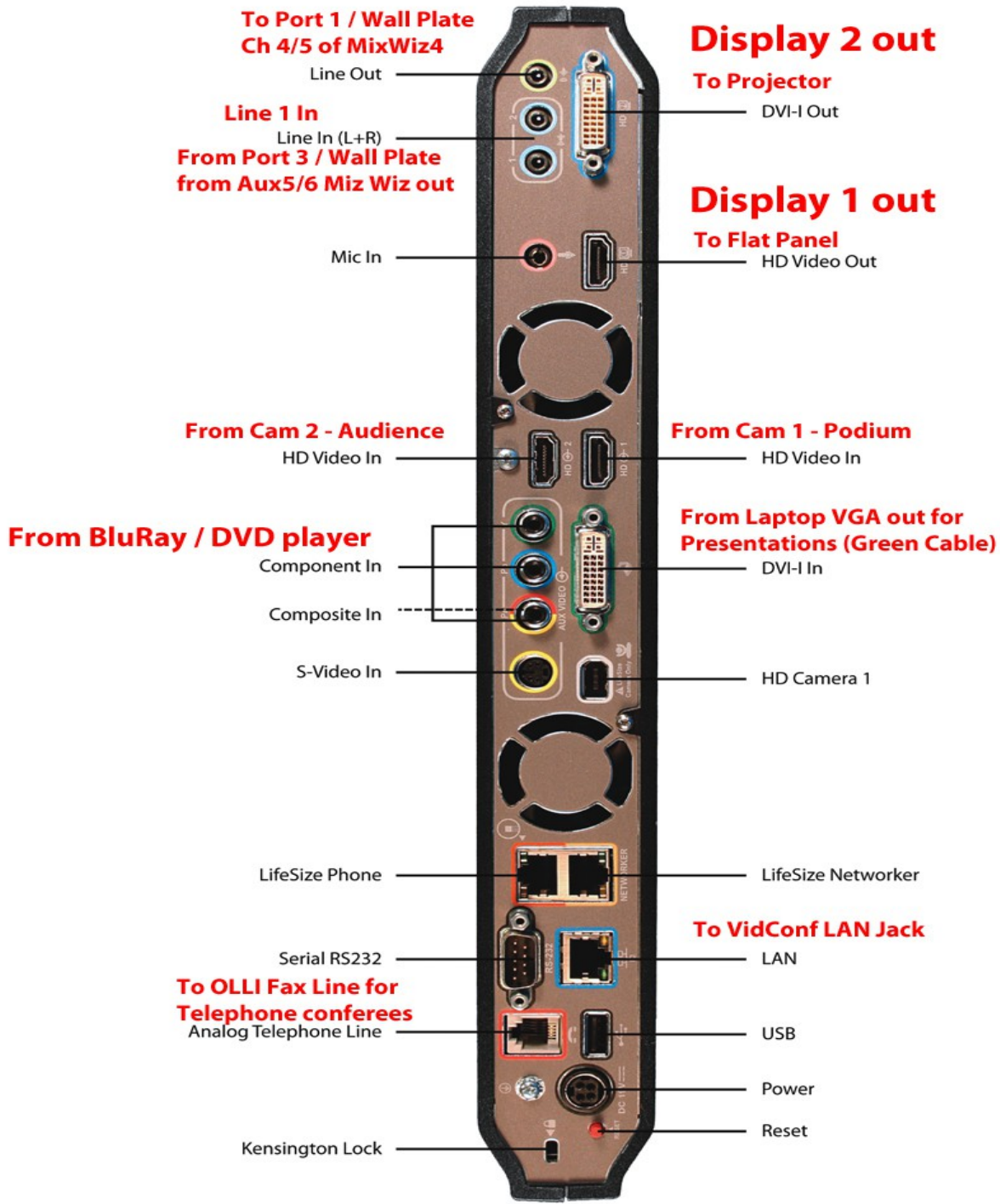
3 – LifeSize Codec Audio In from A&H Aux5 / 6 Out

4 – XLR Female Jack to A&H channel 1









Allen&Heath MixWizard4 – Audio Mixer OLLI TA1 as of 03/01/2014

Input Channel #	Source / Device	Remarks	Auxiliary Outputs (sends)						Main Outputs	
			1	2	3	4	5	6	L+R	M
Outputs										
Aux 1	Sends Left signal to ONKYO PC Input		X							
Aux 2	Sends Right signal to ONKYO PC Input			X						
Aux 3					x					
Aux 4						x				
Aux 5	Feeds signal to L - Codec Audio Line 1 In via Wall Plate / Port #3						x			
Aux 6	Feeds signal to R - Codec Audio Line 1 In via Wall Plate / Port #3							x		
L+R	Mono / to Bogen Speech / PA Amp / Input Mic Ch 1 of Bogen									x

Operating Notes:

- 1) Each input channel has a PFL (Pre-Fader Listen/Look). Use the channel GAIN (input), PFL and VU Meter(s) to set the proper operating level.
- 2) To avoid acoustic and electronic Feed-Back, do not feed a signal back to the source. Example Codec to aux 5 & 6 and Onkyo to Aux 3 & 4.

All channel Aux(s) sum to a corresponding main Auxiliary send located to the extreme right side of the board.
 Aux 1 & 2 are independent of the channel fader movement.
 Aux 3 & 4 are selectable as either independent or follow the channel fader movement.
 Aux 5 & 6 follow the channel fader movement.